

Copie Privée

SCREAMIN'EAGLE



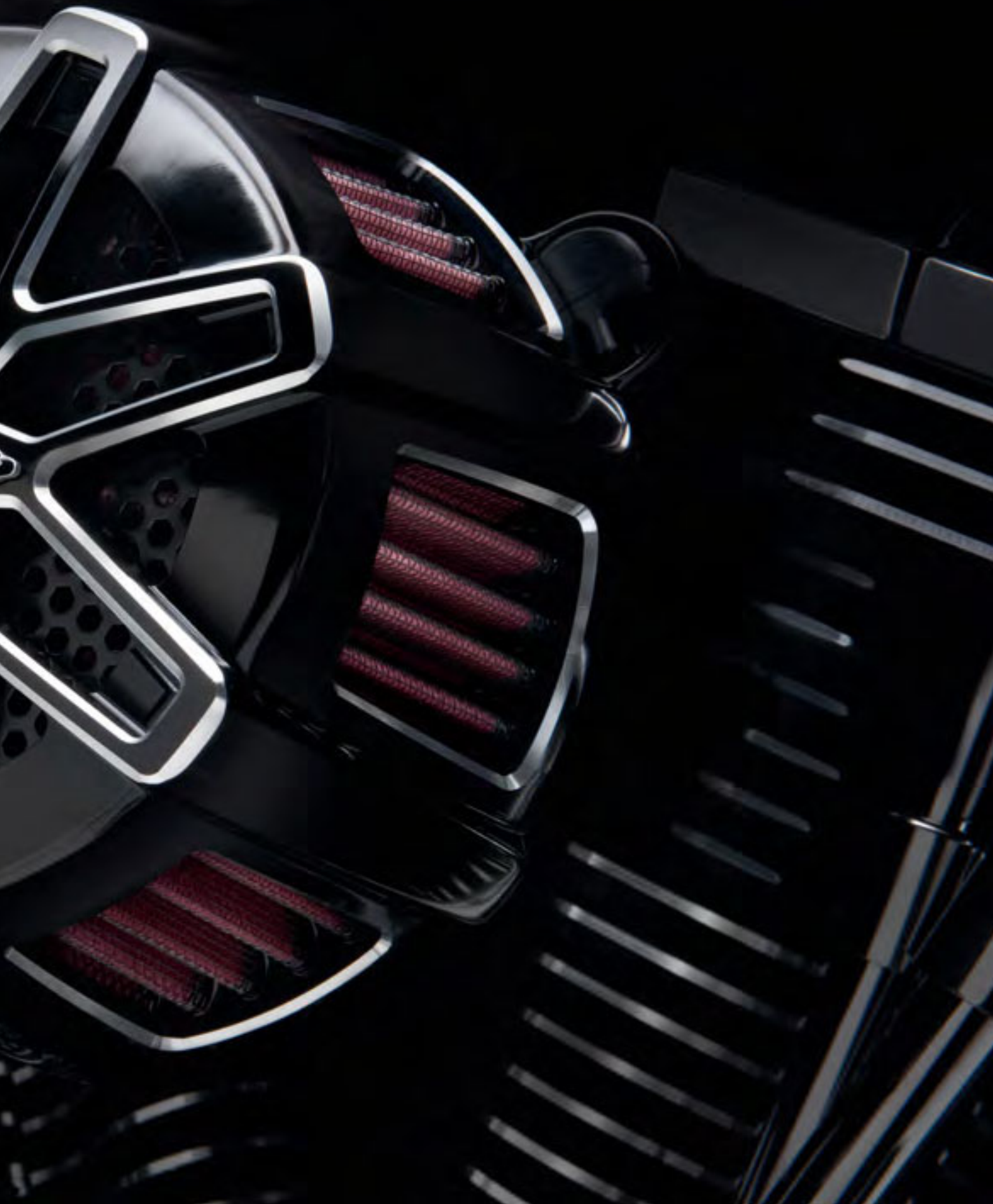
GENUINE MOTOR PARTS & ACCESSORIES



2015

# SCREAMIN' EAGLE®

Screamin' Eagle® Performance Parts give your Harley® motorcycle race-quality performance at street-legal levels. From air cleaners, to engine and exhaust components, they turn heads and raise eyebrows without crossing the line.



## LIFE STAGES

If you're not quite sure where to start, the trained professionals at your local dealership stand ready to lend their experience to your velocity needs. They live this stuff, so all you have to do is ask. Just set some performance goals, and they'll hook you up with the corresponding, heart-pumping hardware. These parts will take you where you need to go – fast.

FORUM P-H

### BUILDING A PERFORMANCE BIKE

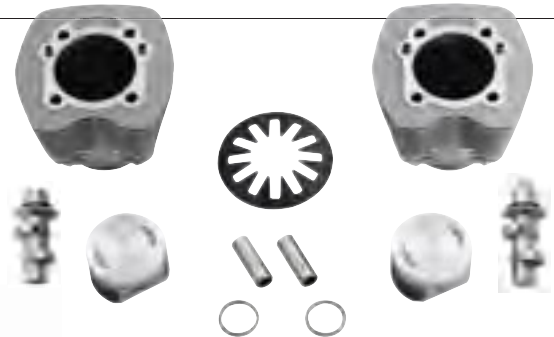


#### INTAKE & EXHAUST

Moving more air and fuel through the engine is the easiest (and most cost-effective) way to make more horsepower and torque. A free-flowing air cleaner and matching tuned exhaust will add performance you can feel. Heavy Breather and Stage I Free-Flow Air Cleaners are simple to install and bring a big performance boost for the dollars invested and sweet-sounding Street Performance mufflers deliver power you can feel across a broad RPM range.

#### STAGE KITS

Screamin' Eagle® EFI Stage Kits offer complete street-legal performance configurations engineered to help you generate specific torque and horsepower gains. Eliminating all the guesswork and trial-and-error testing normally associated with engine modifications, Stage Kits include everything you need to enhance your bike's performance, including big-bore cylinders, high-compression pistons, performance cams and high-flow air cleaners.



#### PERFORMANCE TUNING

Tuning an EFI-equipped motorcycle for performance is similar to modifying a carbureted model, in that freer-flowing intake and exhaust systems will require more fuel. The Screamin' Eagle Street Tuner provides computer-based tools that record and edit the bike's ECM tuning tables. To optimize drivability and performance, the Street Tuner permits limited tunability within the EPA/CARB-compliant emissions range and records and displays real-time vehicle data on screen.

### CAUTION ICONS



**GO LIGHT** These Screamin' Eagle products are 50-state street legal for sale and use on all vehicles, including those that are pollution-controlled. Complies with the requirements of 40 CFR Part 86, subparts E and F.



**STOP HAND** Harley-Davidson® motorcycles modified with some performance engine parts must not be used on public roads and in some cases may be restricted to closed-course competition. Those performance parts identified with a stop hand symbol are U.S. EPA legal, but are NOT legal for sale or use in California on pollution-controlled motor vehicles. California guidelines on tampering can also lead to substantial fines and penalties.



**CALIFORNIA** These Screamin' Eagle products are street legal for sale and use on pollution-controlled vehicles in the state of California.

### WARRANTY & CAUTION

#### OVERVIEW

Harley-Davidson has the engineering expertise, sophisticated dyno lab and complete testing facilities to provide enthusiasts with a line of performance products designed to produce good, solid, reliable horsepower and torque. Engine-related performance parts are intended for the experienced rider only.

#### WARRANTY

Installation of Screamin' Eagle products and similar off-road or competition products from other manufacturers, except some street-legal offerings installed by authorized Harley® dealers, may void your H-D® limited vehicle warranty. Installation of a California performance kit on a 49-state model motorcycle or a 49-state performance kit onto a California model motorcycle will void manufacturer's warranty, as it will not result in a street-legal configuration.

#### CAUTION

Harley-Davidson motorcycles modified with some Screamin' Eagle high-performance engine parts must not be used on public roads and in some cases may be restricted to closed-course competition.



# SCREAMIN' EAGLE® 479

Air Cleaner Kits



A. SCREAMIN' EAGLE HEAVY BREATHER ELITE PERFORMANCE AIR CLEANER KIT – CHROME

## A. SCREAMIN' EAGLE® HEAVY BREATHER ELITE PERFORMANCE AIR CLEANER KIT

Really open it up. This Heavy Breather Elite Air Cleaner features a forward-facing filter element that flows huge volumes of clean air. The low-profile cast elbow and the oval cross-section element combine to hug the engine to provide increased leg room. The intake tube mounts to a custom back plate that features integral breathers and covers the throttle body and electronics for a finished look. Available in your choice of chrome or gloss black finish, the Heavy Breather Elite kit features a washable and re-chargeable filter features bright chrome end caps and trim with Screamin' Eagle® script. Kit includes filter, intake tube, custom back plate, water-repellent rain sock and all mounting hardware. All EFI-equipped models require ECM calibration (priced separately).

Fits '14-later Touring models. Does not fit models equipped with Twin-Cooled™ engine, fairing lower glove boxes or fairing lower speakers. Street Legal when used with Original Equipment throttle body or with Screamin' Eagle® Street Performance Big Bore Stage 4 Kit P/N 92500011.

<b>29400173</b>	Chrome.	<b>\$399.95</b>
<b>29400172</b>	Gloss Black.	<b>\$399.95</b>

\*Recalibration is required for proper installations. See dealer for details. Labor costs not included.

NOTE: The washable and rechargeable filter uses a special coating to help filter fine particles from the incoming air. With time, the oil in the filter will dissipate and the element will begin to turn gray. The original red color can be restored with an application of K&N® Air Filter Oil.



A. SCREAMIN' EAGLE HEAVY BREATHER ELITE PERFORMANCE AIR CLEANER KIT – GLOSS BLACK



SCREAMIN' EAGLE HEAVY BREATHER ELITE PERFORMANCE AIR CLEANER KIT



SCREAMIN' EAGLE HEAVY BREATHER ELITE PERFORMANCE AIR CLEANER KIT (SHOWN WITH RAIN SOCK)

Notice: The prices appearing in this catalog are the manufacturer's suggested retail prices. Actual retail prices may vary.

# 480 SCREAMIN' EAGLE®

Air Cleaner Kits

## A. SCREAMIN' EAGLE® HEAVY BREATHER PERFORMANCE AIR CLEANER KIT

This high-flow forward-facing exposed element Air Cleaner Kit is sure to turn heads at the starting line. Featuring a polished elbow and exposed filter, this unique air cleaner system offers improved performance and airflow when compared to the stock or Screamin' Eagle® High-Flow Air Cleaner. The washable and rechargeable filter features a bright chrome end cap with a laser-engraved Screamin' Eagle logo. Intake tube and back plate are made from die-cast lightweight aluminum and are polished and chrome-plated or painted black for a brilliant finish. The back plate features integral breathers and sealed breather bolt plug. Kit includes a water-repellent rain sock and all mounting hardware. All EFI-equipped models require ECM calibration\* (priced separately).

Fits '08-later Touring, '11-'12 FLSTSE2/3 and '13-later FXSBSE and FLSTNSE models. Street legal when used with Original Equipment throttle body or with '10-later models when equipped with Screamin' Eagle Street Performance Big Bore Stage 4 Kit P/N 92500011. Does not fit models equipped with fairing lower glove boxes or fairing lower speakers. Does not fit Twin-Cooled™ models.

<b>29253-08B</b>	Chrome.	<b>\$329.95</b>
<b>29006-09B</b>	Gloss Black.	<b>\$329.95</b>

Fits '08-later Touring models equipped with Fairing Lower Glove Boxes (except Twin-Cooled models or models equipped with fairing lower speakers). Also fits '11-later CVO™ Softail® models. Street legal when used with Original Equipment throttle body or with Screamin' Eagle Street Performance Big Bore Stage 4 Kit P/N 92500011.

<b>28716-10A</b>	Compact Design – Chrome.	<b>\$329.95</b>
------------------	--------------------------	-----------------

Fits '08-later Dyna® and Softail models (except '11-'12 FLSTSE2/3, '13-later FXSBSE and '14-later FLSTNSE).\*

<b>29299-08</b>	Chrome.	<b>\$329.95</b>
<b>29098-09</b>	Gloss Black.	<b>\$329.95</b>

Fits '08-later XL models.\*

<b>29264-08</b>	Chrome.	<b>\$329.95</b>
<b>29080-09</b>	Gloss Black.	<b>\$329.95</b>

\*Recalibration is required for proper installation. See Dealer for details. Labor cost not included.

NOTE: The washable and rechargeable filter uses a special coating to help filter fine particles from the incoming air. With time, the oil in the filter will dissipate and the element will begin to turn gray. The original red color can be restored with an application of K&N® Air Filter Oil.



A. SCREAMIN' EAGLE HEAVY BREATHER PERFORMANCE AIR CLEANER KIT – CHROME



A. SCREAMIN' EAGLE HEAVY BREATHER PERFORMANCE AIR CLEANER KIT – GLOSS BLACK



A. SCREAMIN' EAGLE HEAVY BREATHER AIR CLEANER KIT – COMPACT



A. SCREAMIN' EAGLE HEAVY BREATHER PERFORMANCE AIR CLEANER KIT – GLOSS BLACK



A. SCREAMIN' EAGLE HEAVY BREATHER PERFORMANCE AIR CLEANER KIT – CHROME

Notice: The prices appearing in this catalog are the manufacturer's suggested retail prices. Actual retail prices may vary.



# SCREAMIN' EAGLE® 481

Air Cleaner Kits



**B. SCREAMIN' EAGLE HEAVY BREATHER FILTER COVER – TEARDROP, CUT BACK BLACK – SIDE LOGO**

## B. SCREAMIN' EAGLE® HEAVY BREATHER FILTER COVER – TEARDROP

Dress up the Heavy Breather Air Cleaner with this radical cover. Manufactured from forged aluminum and precision CNC-machined and polished, these easy-to-install two-piece covers add a rich custom look. Cover is available in mirror-chrome or cut back black finish to match your customizing direction. Kit includes water-repellent rain sock.

Fits Heavy Breather Air Cleaner filter elements (except Compact Heavy Breather P/N 28716-10 or Heavy Breather Elite P/N 29400173 and 29400172). Does not fit with decorative filter end caps.

<b>29400061</b>	Cut Back Black – Side Logo.	<b>\$174.95</b>
<b>28739-10</b>	Cut Back Black – End Logo.	<b>\$169.95</b>
<b>28740-10</b>	Chrome – End Logo.	<b>\$174.95</b>

## C. SCREAMIN' EAGLE HEAVY BREATHER FILTER COVER – TWISTED SLOT

Dress up the Heavy Breather Air Cleaner with this radical cover. Manufactured from forged aluminum and precision CNC-machined and polished, these easy-to-install two-piece covers add a rich custom look. Cover is available in mirror-chrome or cut back black finish to match your customizing direction. Kit includes water-repellent rain sock.

Fits Heavy Breather Air Cleaner filter elements (except Compact Heavy Breather P/N 28716-10 or Heavy Breather Elite P/N 29400173 and 29400172). Does not fit with decorative filter end caps.

<b>28742-10</b>	Chrome.	<b>\$174.95</b>
<b>28741-10</b>	Cut Back Black.	<b>\$174.95</b>

## D. SCREAMIN' EAGLE HEAVY BREATHER DECORATIVE ENDCAP – WILLIE G SKULL

Add a sinister touch to your Heavy Breather Air Cleaner. Chrome-plated self-adhesive cover features a forward-facing Willie G Skull medallion.

**28720-10** **\$34.95**  
Fits models equipped with Screamin' Eagle® Heavy Breather Air Cleaner Kits (except Compact Heavy Breather P/N 28716-10 or Heavy Breather Elite P/N 29400173 and 29400172).

## E. SCREAMIN' EAGLE HEAVY BREATHER DECORATIVE MEDALLION

Add the finishing touch to your Heavy Breather Air Cleaner by installing this medallion. Featuring a bright chrome-plated die-cast base and contrasting black inlay with diamond cut "Screamin' Eagle" script. Easy to install.

**29017-09** **\$21.95**  
Fits models equipped with Heavy Breather Air Cleaner Kits (except Compact Heavy Breather P/N 28716-10 or Heavy Breather Elite P/N 29400173 and 29400172).



**B. SCREAMIN' EAGLE HEAVY BREATHER FILTER COVER – TEARDROP, CHROME**



**B. SCREAMIN' EAGLE HEAVY BREATHER FILTER COVER – TEARDROP, CUT BACK BLACK**



**C. SCREAMIN' EAGLE HEAVY BREATHER FILTER COVER – TWISTED SLOT, CHROME**



**C. SCREAMIN' EAGLE HEAVY BREATHER FILTER COVER – TWISTED SLOT, CUT BACK BLACK**



**D. SCREAMIN' EAGLE HEAVY BREATHER DECORATIVE ENDCAP – WILLIE G SKULL**



**E. SCREAMIN' EAGLE HEAVY BREATHER DECORATIVE MEDALLION**

*Notice: The prices appearing in this catalog are the manufacturer's suggested retail prices. Actual retail prices may vary.*

# 482 SCREAMIN' EAGLE®

Air Cleaner Kits

## A. SCREAMIN' EAGLE® EXTREME BILLET AIR CLEANER KIT

The bold styling of this intake system looks just as impressive as the long patch of burnout rubber you just laid down. The forged billet aluminum cover tops off a cast back plate with integral breather for a smooth transition to the throttle body. The race-inspired air cleaner is engineered to flow high volumes of air and the washable pleated element provides the ideal combination of efficiency and engine protection. Available in your choice of style and finish, this easy-to-install kit includes all mounting hardware and rain sock. All EFI-equipped models require ECM calibration\* (priced separately).

Fits '08-later Touring and Trike models with Original Equipment 50mm Throttle Body.

<b>29400064</b>	Agitator – Chrome.	<b>\$349.95</b>
<b>29400063</b>	Agitator – Cut Back Black.	<b>\$349.95</b>
<b>29400104</b>	Chisel – Chrome.	<b>\$349.95</b>
<b>29400103</b>	Chisel – Cut Back Black.	<b>\$349.95</b>

Fits '08-later Dyna® and Softail® models (except '11-later CVO™ Softail).

<b>29400116</b>	Chisel – Cut Back Black.	<b>\$349.95</b>
<b>29400117</b>	Chisel – Chrome.	<b>\$349.95</b>

Fits '07-later XL models with Original Equipment throttle body.

<b>29400127</b>	Chisel – Cut Back Black.	<b>\$349.95</b>
<b>29400128</b>	Chisel – Chrome.	<b>\$349.95</b>

\*Recalibration is required for proper installation. See Dealer for details. Labor cost not included.



A. EXTREME BILLET AIR CLEANER KIT – AGITATOR, CHROME



A. EXTREME BILLET AIR CLEANER KIT – AGITATOR, CUT BACK BLACK



A. EXTREME BILLET AIR CLEANER KIT – CHISEL, CHROME



A. EXTREME BILLET AIR CLEANER KIT – CHISEL, CUT BACK BLACK



A. EXTREME BILLET AIR CLEANER KIT



A. EXTREME BILLET AIR CLEANER KIT (SHOWN WITH RAIN SOCK)

Notice: The prices appearing in this catalog are the manufacturer's suggested retail prices. Actual retail prices may vary.





NEW

# SCREAMIN' EAGLE® 483

Air Cleaner Kits

## B. SCREAMIN' EAGLE® PERFORMANCE AIR CLEANER KIT – THE BURST COLLECTION

Performance and style combined. Designed to complement the Burst Collection, this radical low profile air cleaner features a "tuxedo black" surround that has been expertly machined to expose the satin aluminum finish below. The billet cover conceals a one-piece cast back plate with integral breather and mounting bracket that promotes smooth air flow into the throttle body. The exposed reverse cone cotton element provides high-volumes of air and the element is washable for maximum efficiency and protection. The complete kit includes Burst Collection trim, backing plate, air cleaner element and all required installation hardware. All EFI-equipped models require ECM calibration\* (priced separately).

**29000066** **\$374.95**

Fits '08-later Touring and Trike models with Original Equipment 50mm throttle body or with Screamin' Eagle® Street Performance Big Bore Stage 4 Kit P/N 92500011 or 92500020.

**29400178** **\$374.95**

Fits '08-later Dyna® and Softail® models (except '11-'12 FLSTSE2/3, '13-'14 FXSBSE and '14-'15 FLSTNSE).

\*Recalibration is required for proper installation. See Dealer for details. Labor cost not included.

B. SCREAMIN' EAGLE PERFORMANCE AIR CLEANER KIT – THE BURST COLLECTION



NEW



NEW

B. SCREAMIN' EAGLE PERFORMANCE AIR CLEANER KIT – THE BURST COLLECTION

SCREAMIN' EAGLE

*Notice: The prices appearing in this catalog are the manufacturer's suggested retail prices. Actual retail prices may vary.*



# 484 SCREAMIN' EAGLE®

Air Cleaner Kits

## A. SCREAMIN' EAGLE® EXTREME BILLET VENTILATOR AIR CLEANER KIT

The proven, track-inspired exposed element Ventilator air cleaner with a completely totally unique look. This low-profile oval air cleaner features a 360° exposed filter element for maximum air flow and a stylish machined billet aluminum cover for style. Available in your choice of chrome or cut back black finish, the two-piece billet cover surrounds the filter and features a full color Screamin' Eagle® medallion. The cast back plate ensures smooth air flow to the throttle body and the included rain sock protects the filter and engine from drawing in moisture during inclement weather. This easy-to-install kit includes billet air cleaner cover, high-flow filter element, back plate, protective rain sock and all required installation hardware. Street legal when used with stock mufflers. All EFI-equipped models require ECM calibration\* (priced separately).

Fits '09-later Touring and Trike models. Also fits '11-later FLSTSE2/3, FLSTNSE and FXSBSE models.

**29400163** Chrome. **\$449.95**

**29400164** Cut Back Black. **\$449.95**

Fits '10-later Dyna® and Softail® models (except '11-later CVO™ Softail models).

**29400167** Chrome. **\$449.95**

**29400168** Cut Back Black. **\$449.95**

\*Recalibration is required for proper installation. See Dealer for details. Labor cost not included.



A. SCREAMIN' EAGLE EXTREME BILLET VENTILATOR AIR CLEANER KIT – CHROME



A. SCREAMIN' EAGLE EXTREME BILLET VENTILATOR AIR CLEANER KIT – CUT BACK BLACK



A. SCREAMIN' EAGLE EXTREME BILLET VENTILATOR AIR CLEANER KIT – CHROME



A. EXTREME BILLET VENTILATOR AIR CLEANER KIT (SHOWN WITH RAIN SOCK)

Notice: The prices appearing in this catalog are the manufacturer's suggested retail prices. Actual retail prices may vary.

# SCREAMIN' EAGLE® 485

Air Cleaner Kits



NEW

**B. SCREAMIN' EAGLE VENTILATOR ELITE AIR CLEANER KIT – CHROME**

## B. SCREAMIN' EAGLE® VENTILATOR ELITE AIR CLEANER KIT

This low-profile oval air cleaner features a 360° exposed filter element and a cast back plate designed to provide maximum air flow to the throttle body. This easy-to-install air cleaner produces significant performance gains, while the sleek center bar design cover with carbon fiber inserts add a luxurious touch. This complete kit includes low-profile air cleaner cover, high-flow filter element, back plate, diamond-cut Screamin' Eagle® medallion, protective rain sock and all required installation hardware. Street legal when used with stock mufflers. All EFI-equipped models require ECM calibration\* (priced separately).

Fits '09-later Touring and Trike models. Also fits '11-later FLSTSE2/3, FLSTNSE and FXSBSE models.

<b>29400217</b>	Chrome.	<b>\$299.95</b>
<b>29400218</b>	Gloss Black.	<b>\$299.95</b>

Also available:

## SCREAMIN' EAGLE VENTILATOR ELITE AIR CLEANER COVER

Add a luxurious finishing touch to your Ventilator Air Cleaner. Designed as a direct replacement for the Screamin' Eagle and CVO™ Ventilator Air Cleaners, this easy to install cover features a sleek center bar design surrounded with carbon fiber inserts. Kit includes low-profile cover, diamond-cut Screamin' Eagle medallion and chrome mounting hardware.

Fits Dyna®, Softail®, Touring and Trike models equipped with Screamin' Eagle Ventilator Air Cleaner Kits P/N 29490-09, 29915-09, 28721-10, 28722-10 or 29400039. Also fits CVO models with Original Equipment Ventilator Air Cleaner.

<b>61300516</b>	Chrome.	<b>\$109.95</b>
<b>61300517</b>	Gloss Black.	<b>\$109.95</b>



NEW

**B. SCREAMIN' EAGLE VENTILATOR ELITE AIR CLEANER KIT – BLACK**



NEW

**B. SCREAMIN' EAGLE VENTILATOR ELITE AIR CLEANER KIT**



NEW

**B. VENTILATOR ELITE AIR CLEANER KIT (SHOWN WITH RAIN SOCK)**

SCREAMIN' EAGLE

Notice: The prices appearing in this catalog are the manufacturer's suggested retail prices. Actual retail prices may vary.



# 486 SCREAMIN' EAGLE®

Air Cleaner Kits

## A. SCREAMIN' EAGLE® VENTILATOR PERFORMANCE AIR CLEANER KIT

Stylish low-profile exposed element air cleaner kit provides increased airflow to boost the power of your fuel-injected engine. The track-inspired exposed element adds a purposeful look to the bike and the included waterproof rain sock protects the filter during inclement weather. This easy-to-install kit includes low-profile air cleaner cover, high-flow filter element, back plate, Screamin' Eagle® badge, protective rain sock and all required installation hardware. Street legal when used with stock mufflers. All EFI-equipped models require ECM calibration\* (priced separately).

Fits '09-later Touring and Trike models. Also fits '11-later CVO™ Softail® models.

<b>29490-09</b>	Chrome.	<b>\$249.95</b>
<b>29915-09</b>	Gloss Black.	<b>\$249.95</b>

Fits '10-later Dyna® and Softail models (except '11-later CVO Softail models).

<b>28721-10</b>	Chrome.	<b>\$249.95</b>
<b>28722-10</b>	Gloss Black.	<b>\$249.95</b>

\*Recalibration is required for proper installation. See Dealer for details. Labor cost is not included.



A. SCREAMIN' EAGLE VENTILATOR PERFORMANCE AIR CLEANER KIT – CHROME



A. SCREAMIN' EAGLE VENTILATOR PERFORMANCE AIR CLEANER KIT – GLOSS BLACK



A. SCREAMIN' EAGLE VENTILATOR PERFORMANCE AIR CLEANER KIT (SHOWN WITH RAIN SOCK)



A. SCREAMIN' EAGLE VENTILATOR PERFORMANCE AIR CLEANER KIT

Notice: The prices appearing in this catalog are the manufacturer's suggested retail prices. Actual retail prices may vary.

# SCREAMIN' EAGLE® 487

Air Cleaner Kits



**B. SCREAMIN' EAGLE PERFORMANCE AIR CLEANER FOR VRSC MODELS**

**B. SCREAMIN' EAGLE® PERFORMANCE AIR CLEANER FOR VRSC™ MODELS**

This high-flow air cleaner provides the clean stable air the engine needs for maximum performance. The washable filter element does not require oiling.

**29793-02C** Fits '02-later VRSC™ models. **\$64.95**

**C. SCREAMIN' EAGLE SPORTSTER® STAGE I AIR CLEANER KIT – OVAL\***

The XL Stage I Air Cleaner Kit provides increased airflow to boost the power of your fuel-injected Sportster® model. The complete kit features a composite air cleaner back plate, air cleaner cover adapter, a high-flow washable synthetic media filter element that does not require oiling and a breather system that routes gasses and excess oil directly into the intake. Kit also includes cover trim and all mounting hardware. Street legal when used with stock mufflers. All models require ECM calibration\* (priced separately).

**29782-07** **\$144.95**

Fits '07-later XL models with stock oval air cleaner cover. XL1200V requires separate purchase of oval air cleaner cover P/N 29084-04DH.

\*Recalibration is required for proper installation. See Dealer for details.



**C. SCREAMIN' EAGLE SPORTSTER STAGE I AIR CLEANER KIT – OVAL**



**D. SCREAMIN' EAGLE SPORTSTER STAGE I AIR CLEANER KIT – ROUND\***

The XL Stage I Air Cleaner Kit provides increased airflow to boost the power of your fuel-injected Sportster model. Available with brilliant chrome or gloss black back plate, this Round Air Cleaner transforms the appearance of your Evolution power plant and allows you to replace the Original Equipment oval air cleaner cover with your choice of accessory round covers. Or choose to flaunt your performance gains with the open element look, finished with custom Air Cleaner Trim from one of the Harley-Davidson® decorative collections. Kit includes one-piece cast back plate, high-flow washable air filter element and all required hardware. Street legal when used with stock mufflers. Requires ECM calibration\* (priced separately).

Fits '07-later XL models. Requires separate purchase of a round air cleaner cover or Twin Cam-style air cleaner trim. Air Cleaners P/N 29400-08, 29153-07, 29417-04, 61400007, 61400009, 61300057 and 27956-10 require separate purchase of Screw P/N 29269-83A. XL1200V requires separate purchase of Gasket P/N 25700127.

**29000009A** Black. **\$149.95**

**29000019A** Chrome. **\$149.95**

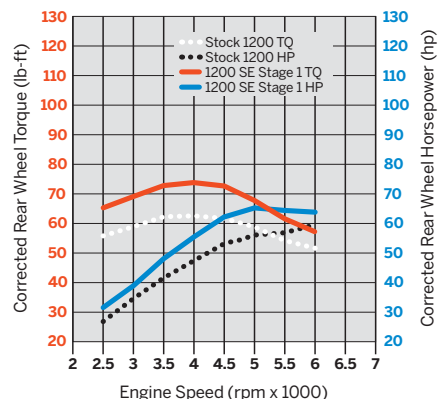
\*Recalibration is required for proper installation. See Dealer for details.



**D. SCREAMIN' EAGLE SPORTSTER STAGE I AIR CLEANER KIT – ROUND**



**SPORTSTER 1200 STOCK VS. STAGE I AIR CLEANER & STREET CANNON MUFFLERS**



Notice: The prices appearing in this catalog are the manufacturer's suggested retail prices. Actual retail prices may vary.

SCREAMIN' EAGLE



# 488 SCREAMIN' EAGLE®

Air Cleaner Kits

## A. SCREAMIN' EAGLE® STAGE I AIR CLEANER KIT – TWIN CAM MODELS\*

Kit features a one-piece cast back plate with integral breather and mounting brackets for simplified installation and a "state of the art" synthetic media washable air cleaner element that does not require oiling. If you want more torque from your Twin Cam-equipped model, this kit provides a freer breathing capability to pump-up the power of your EFI-equipped motorcycle. This kit includes air cleaner, breather and all required hardware. Street legal when used with stock mufflers. All EFI-equipped models require ECM calibration\* (priced separately).

### 29773-02C \$144.95

Fits '08-later Softail® and Dyna® equipped with accessory Air Cleaner Covers (stock on '08 CVO™ Dyna). FXS, FLS, FLSTSB and '13 FXDB models require separate purchase of Gasket P/N 29591-99 and Screw P/N 29703-00. Also fits '01-'07 EFI Softail, '02-'07 EFI Touring, '04-'07 EFI Dyna and models equipped with Accessory Air Cleaner Covers. (Stock on '05 FLSTFI 15th Anniversary, '05-'07 CVO Softail, '07 CVO Dyna and '07 CVO Road King® models.) '06-'07 CVO Electra Glide® models require the separate purchase of Air Cleaner Cover P/N 29121-07. Air Cleaner Trim is sold separately.

### 29400129 \$149.95

Fits '14-later Touring and Trike models with Original Equipment 50mm Throttle Body.

### 29260-08 \$144.95

Fits '08-13 Touring and Trike models with Original Equipment 50mm Throttle Body. '08-later CVO models require separate purchase of Air Cleaner Cover P/N 29121-07.

### 29406-08 \$149.95

Fits '08-later Dyna models with Original Equipment Teardrop Air Cleaner Cover.

### 29489-99C \$174.95

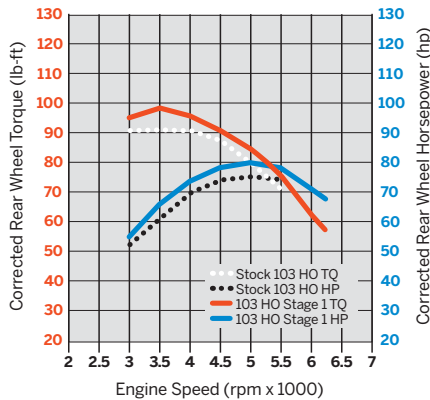
Fits '99-'01 fuel-injected Touring models.

\*Recalibration is required for proper installation. See Dealer for details. Labor cost not included.



A. SCREAMIN' EAGLE STAGE I AIR CLEANER KIT

TWIN CAM 103 HO STOCK VS. 103 HO STAGE 1



A. SCREAMIN' EAGLE STAGE I AIR CLEANER KIT – MULTI-FIT (29773-02C SHOWN)



A. SCREAMIN' EAGLE STAGE I AIR CLEANER KIT (29400129 SHOWN)



A. SCREAMIN' EAGLE STAGE I AIR CLEANER KIT (29260-08 SHOWN)



A. SCREAMIN' EAGLE STAGE I AIR CLEANER KIT – '08-LATER DYNA (29406-08 SHOWN)

Notice: The prices appearing in this catalog are the manufacturer's suggested retail prices. Actual retail prices may vary.

# SCREAMIN' EAGLE® 489

Air Cleaner Kits



**B. SCREAMIN' EAGLE AIR CLEANER INSERT**



**C. SCREAMIN' EAGLE AIR CLEANER TRIM RING**

## B. SCREAMIN' EAGLE® AIR CLEANER INSERT

Dress your factory air cleaner cover with a diamond cut Screamin' Eagle® medallion. Lock patch holds the medallion firmly in place and is easy to remove for access to the air cleaner hardware.

**61300299** **\$19.95**  
Fits '14-later Touring and Trike models (except CVO™) equipped with Original Equipment air cleaner cover.

## C. SCREAMIN' EAGLE AIR CLEANER TRIM RING

Dress your air cleaner in the traditional H-D® orange and black. Easy-to-install trim ring features brilliant orange Screamin' Eagle script and Harley-Davidson lettering set against a gloss black background. Self adhesive backing.

**29503-07** **\$14.95**  
Fits '07-'13 Touring and Trike, '07-later Softail® (except FXS and FLSTSB) and '07 Dyna® models equipped with Original Equipment air cleaner cover.

## D. SCREAMIN' EAGLE ACCESSORY COLLECTION

Add style to your motorcycle with these Screamin' Eagle accessories and proclaim you're serious about performance.

### 1. Oval Air Cleaner Insert

Fits '66-'03 XL models.

**29382-97A** Black on Silver. **\$14.95**

**29383-97A** Silver on Black. **\$14.95**

### 2. Air Cleaner Insert

Fits '84-'99 Evolution® 1340-equipped models.

**29619-99** Silver on Black. **\$14.95**

### 3. Air Cleaner Insert

Fits '99-'06 Twin Cam-equipped models.

**29620-99** Black on Silver. **\$14.95**

**29567-99** Silver on Black. **\$14.95**



**D. SCREAMIN' EAGLE ACCESSORY COLLECTION**



**E. SCREAMIN' EAGLE AIR CLEANER RAIN SOCK (SHOWN WITH #1 SKULL AIR CLEANER TRIM)**

## F. SCREAMIN' EAGLE AIR CLEANER RAIN SOCK

Add the open-element look to your Screamin' Eagle Stage-style Air Cleaner. This easy-to-install kit allows you to replace the traditional Original Equipment air cleaner cover with custom inserts from one of the H-D Decorative Collections. Kit includes a breathable mesh cover with classic Bar & Shield logo that stretches over the filter to maximize airflow while protecting the exposed element from the rain. Fits traditional cone-shaped air cleaner elements featured in many Screamin' Eagle Twin Cam Stage Kits.

**28728-10** **\$25.95**  
Fits Screamin' Eagle Air Cleaner Kits P/N 29773-02C, 29260-08, 29000009 and 29000019A.

## F. SCREAMIN' EAGLE AIR CLEANER

### BACK PLATE KITS

Finished in brilliant chrome or wrinkle black, these replacement back plates complement the finish of your engine. Cast back plate design features integral breather and mounting brackets for simplified installation.

Fits models equipped with Screamin' Eagle Stage Kits or High-Flow Air Cleaner Kits. Installation may require separate purchase of (2) O-Ring P/N 11292, (2) Breather Tube P/N 29557-05 and (2) Breather Screw P/N 29465-99. See your Dealer for details.

Fits '99-later Softail (except '11-later CVO) '02-'07 Touring and '99-'07 Dyna models.

**29510-05** Chrome. **\$59.95**

**29586-06** Wrinkle Black. **\$49.95**

Fits '08-'13 Touring and Trike models.

**29624-08** Chrome. **\$59.95**

**29319-08** Wrinkle Black. **\$49.95**

Fits '08-later Dyna models with Original Equipment Teardrop Air Cleaner Cover.

**29170-08** Chrome. **\$59.95**

**29119-08** Wrinkle Black. **\$49.95**



**F. SCREAMIN' EAGLE AIR CLEANER BACK PLATE KITS**

SCREAMIN' EAGLE

Notice: The prices appearing in this catalog are the manufacturer's suggested retail prices. Actual retail prices may vary.



# 490 SCREAMIN' EAGLE®

Air Cleaner Kits

## A. FORGED BILLET ALUMINUM AIR CLEANER COVER

This unique Billet Aluminum Air Cleaner Cover is styled with inverted V-shape air inlets to complement the V-Twin engine profile and is designed with a generous open intake to maximize engine breathing. Manufactured from 6061-T6 billet aluminum, this high-quality forged dual throat air cleaner cover is expertly CNC-machined to exacting tolerances. Then, its surfaces are polished mirror-smooth and chrome-plated or black anodized to match your customizing direction. The air cleaner kits include complementing brushed aluminum or matte black side inserts and a hidden mounting bolt. Complete the installation with one of the numerous custom medallion inserts (sold separately).

Fits '99-later Twin Cam, '07-later XL and '93-'99 Evolution® 1340 carbureted models equipped with Screamin' Eagle® Round Filter Air Cleaner Kits (round cone-shaped filter). See your dealer for specific applications.

<b>29506-09</b>	Black.	<b>\$229.95</b>
<b>29745-00A</b>	Chrome.	<b>\$229.95</b>

Also available:

### BILLET AIR CLEANER SIDE INSERT KIT

Add a touch of color to the H-D® Forged Billet Aluminum Air Cleaner Cover. These easy-to-install Side Inserts are available in a matte black finish to add depth and dimension.

<b>97005-02</b>		<b>\$9.95</b>
Fits Chrome Forged Billet Aluminum Air Cleaner Cover P/N 29745-00A.		

Also shown with:

### BILLET AIR CLEANER MEDALLION KITS

These polished and chrome-plated inserts for the Billet Air Cleaner Cover snap easily into place. The kit includes an O-ring gasket and individual decorative medallions.

Fits Forged Billet Aluminum Air Cleaner Covers P/N 29745-00A and 29506-09.

<b>29902-09</b>	Dark Custom™ Collection.	<b>\$42.95</b>
<b>29833-06</b>	Willie G Skull Collection.	<b>\$42.95</b>
<b>29929-07</b>	Screamin' Eagle 96 Cubic Inch.	<b>\$42.95</b>
<b>29888-06</b>	Screamin' Eagle 103 Cubic Inch.	<b>\$42.95</b>
<b>29898-06</b>	Screamin' Eagle 110 Cubic Inch.	<b>\$42.95</b>

## B. THROTTLE BODY COVER

This cover dresses the area between the Twin Cam cylinders for a custom look. The formed cover hugs the contour and conceals the electronic control module throttle body for a clean appearance. Available in your choice of mirror-chrome or gloss black finish. Easy-to-install kit includes gaskets.

Fits '11-later CVO™ Softail® and '08-later Touring and Trike models equipped with Screamin' Eagle Heavy Breather or Burst Air Cleaner Kit.

<b>61300109</b>	Chrome.	<b>\$59.95</b>
<b>61300110</b>	Gloss Black.	<b>\$59.95</b>



A. BILLET AIR CLEANER COVER – BLACK (SHOWN WITH DARK CUSTOM MEDALLION)



A. BILLET AIR CLEANER COVER – CHROME (SHOWN WITH WILLIE G SKULL MEDALLION)



A. BILLET AIR CLEANER MEDALLION KITS



B. THROTTLE BODY COVER – CHROME



B. THROTTLE BODY COVER – GLOSS BLACK

Notice: The prices appearing in this catalog are the manufacturer's suggested retail prices. Actual retail prices may vary.

# SCREAMIN' EAGLE® 491

Air Cleaner Kits

## C. SCREAMIN' EAGLE® HIGH-FLO K&N® AIR FILTER ELEMENT

K&N® replacement air filters are engineered to improve airflow for increased horsepower and quicker acceleration. K&N filters provide excellent filtration and because they are washable and reusable, you can clean the filter whenever conditions demand. Designed as direct replacements for specified fitments.

NOTE: These washable and rechargeable filters use a special coating to help filter fine particles from the incoming air. With time, the oil in the filter will dissipate and the element will begin to turn gray. Clean the surface and renew the original red color with an application of K&N Air Filter Care products.

**1. 29400020** Stage I–Multi-fit. **\$59.95**  
Fits '07-later XL, '99-'07 Dyna®, '00-later Softail® and '99-'07 Touring models equipped with Stage I Air Cleaner Kit P/N 29000009, 29000019A, 29773-02C or 29440-99D. Replacement for P/N 29442-99E.

**2. 29400021** Stage I–Dyna. **\$59.95**  
Fits '08-later Dyna models equipped with Stage I Air Cleaner Kit P/N 29406-08. Replacement for P/N 29385-08.

**3. 29400019** Stage I–Touring. **\$59.95**  
Fits '08-later Touring and Trike models equipped with Stage I Air Cleaner Kit P/N 29260-08. Replacement for P/N 29244-08.

**4. 29400065** Extreme Billet. **\$59.95**  
Fits '15-later XG and '08-later Touring and Trike models equipped with Extreme Billet Agitator and Chisel Air Cleaner Kits.

**4. 29400118** Extreme Billet. **\$59.95**  
Fits '07-later XL, '08-later Dyna and '08-later Softail models equipped with Extreme Billet Chisel Air Cleaner Kits.

**5. 29400109** Burst Collection. **\$59.95**  
Fits models equipped with Burst Collection Air Cleaner Kits.

**6. 29400026** Stage I–XL. **\$59.95**  
Fits '88-later XL models equipped with High-Flow Air Cleaner Kit P/N 29042-04C or 29066-03B. Replacement for P/N 29044-04B.

**7. 29400022A** Ventilator–Multi-fit. **\$59.95**  
Fits models equipped with Ventilator and Extreme Billet Ventilator Performance Air Cleaner Kits. Replacement for P/N 29670-09.

**8. 29424-05A** Heavy Breather–Multi-fit. **\$89.95**  
Fits '91-later XL, '99-later Dyna, '00-later Softail and '99-'07 Touring models equipped with Heavy Breather Kit P/N 29098-09, 29299-08, 29080-09 or 29264-08.

**8. 29702-08A** Heavy Breather–Touring. **\$89.95**  
Fits models equipped with Heavy Breather Kit P/N 29006-09B, 29253-08B, 29000065 or 29400105.

**9. 28714-10** Heavy Breather–Compact Touring. **\$89.95**  
Fits '08-later Touring and Trike models equipped with Compact Heavy Breather Kit P/N 28716-10A.

**10. 29400141** Heavy Breather–Elite. **\$99.95**  
Fits models equipped with Screamin' Eagle® Heavy Breather Elite Performance Air Cleaner Kit P/N 29400172 and 29400173.



C. SCREAMIN' EAGLE HIGH-FLO K&N AIR FILTER ELEMENT



D. K&N AIR FILTER CARE SERVICE KIT



D. K&N AIR FILTER OIL



D. K&N POWER KLEEN AIR FILTER CLEANER

## D. K&N AIR FILTER CARE PRODUCTS

Clean and restore the original performance of K&N air filter elements. The washable and rechargeable filters use a special coating to help filter fine particles from the incoming air. With time, the oil in the filter will dissipate and the element will begin to turn gray. Clean the surface and renew the original red color with an application of K&N Air Filter Care products.

### K&N AIR FILTER CARE SERVICE KIT

**99850-92T** **\$14.95**  
Complete kit to clean and re-oil K&N-type air filters. Includes one 12 oz bottle Air Filter Cleaner and one aerosol Air Filter Oil.

### K&N AIR FILTER OIL

**99882-88T** 12 oz Aerosol. **\$9.95**

### K&N POWER KLEEN AIR FILTER CLEANER

**93600004** 32 oz with Sprayer. **\$11.95**

Notice: The prices appearing in this catalog are the manufacturer's suggested retail prices. Actual retail prices may vary.

SCREAMIN' EAGLE



### MORE THAN JUST HOT AIR

The sound of a Harley-Davidson® motorcycle grabs the heart and moves the soul. The complete line of Screamin' Eagle® Street Performance Mufflers is tuned to enhance the bass notes and deliver a rich melodic tone from idle to wide-open throttle. These stylish slip-on mufflers produce real-world performance improvements, while maintaining EPA-approved sound levels.



### POWER VS. NOISE

A loud exhaust system doesn't mean improved performance. Screamin' Eagle® Street Performance Mufflers are designed to significantly increase airflow and add torque and horsepower you can feel with a twist of the throttle. Engineered to deliver where it counts — during a roll-on pass or on a long run up a steep grade — all street-legal Harley-Davidson® exhaust systems carry the EPA stamp.

**The "Room"** — a silent chamber lined with perforated sheet metal and 50,000 pounds of fiberglass acoustic wedges — uses a wide array of microphones to get precise readings of drive-by noise. This is the room that creates that world-famous Harley-Davidson sound.



# SCREAMIN' EAGLE® 493

Sportster® Exhaust



**A. SCREAMIN' EAGLE STREET CANNON SLIP-ON MUFFLERS – SPORTSTER SHORTY DUAL – CHROME**

**A. SCREAMIN' EAGLE® STREET CANNON SLIP-ON MUFFLERS – SPORTSTER SHORTY DUAL**

These 3.25" street legal high-flow mufflers have been specifically tuned to deliver an aggressive exhaust note and improved performance while preserving the peace with your neighbors. Available in your choice of rich chrome or heat resistant jet black ceramic finish. The Jet Black mufflers include Screamin' Eagle® muffler shields. EPA stamped. Complete the look with your choice of 3.25" endcaps (sold separately).

Fits '14-later XL models. Installation requires separate purchase of End Caps and Muffler Clamps P/N 65296-95A (Qty 2).

<b>64900208</b>	Chrome.	<b>\$419.95</b>
<b>64900209</b>	Jet Black w/ muffler shields.	<b>\$459.95</b>

**B. SCREAMIN' EAGLE END CAPS – 3.25"**

These easy-to-install caps allow you to finish your 3.25" Screamin' Eagle mufflers your way. Sold in pairs. Installation hardware included.

Fits Screamin' Eagle 3.25" Street Cannon Mufflers P/N 64900208 and 64900209.

<b>65100049</b>	Chrome Slash Cut.	<b>\$119.95</b>
<b>65100048</b>	Jet Black with SE Script.	<b>\$119.95</b>



**A. SCREAMIN' EAGLE STREET CANNON SLIP-ON MUFFLERS – SPORTSTER SHORTY DUAL – JET BLACK**



**B. SCREAMIN' EAGLE END CAPS – CHROME SLASH CUT**



**B. SCREAMIN' EAGLE END CAPS – JET BLACK WITH SE SCRIPT**

SCREAMIN' EAGLE

*Notice: The prices appearing in this catalog are the manufacturer's suggested retail prices. Actual retail prices may vary.*



# 494 SCREAMIN' EAGLE®

Sportster® Exhaust

## A. SCREAMIN' EAGLE® STREET PERFORMANCE SLIP-ON MUFFLERS – SPORTSTER® SHORTY DUAL

Street legal high-flow mufflers are factory tuned to deliver an aggressive exhaust note and improved performance comparable to Screamin' Eagle® II mufflers. Available in your choice of rich chrome or heat-resistant jet black ceramic finish, these mufflers feature a deep embossed Screamin' Eagle logo along the flank. EPA stamped, these mufflers are 50-state street legal on stock '07-later model engines.

Fits '07-'13 XL models. Installation requires separate purchase of Muffler Clamps P/N 65296-95A (Qty 2).

<b>80503-07</b>	Chrome.	<b>\$299.95</b>
<b>80726-09A</b>	Jet Black.	<b>\$399.95</b>



A. SCREAMIN' EAGLE STREET PERFORMANCE SLIP-ON SHORTY DUAL MUFFLERS – CHROME

## B. HARLEY-DAVIDSON® SLIP-ON MUFFLERS – SPORTSTER SHORTY DUAL

These brilliant chrome-finished mufflers feature a classic slash down or tapered baloney cut design that adds a custom touch to any XL. The 49-state street legal mufflers offer great sound quality and feature the "Harley-Davidson" script on the rear muffler. Not legal for sale or use on California catalyst-equipped vehicles.

Fits '06 XL models.

<b>80417-06</b>	Tapered Baloney Cut.	<b>\$319.95</b>
<b>80416-06</b>	Slash Down.	<b>\$319.95</b>

Fits '04-'05 XL models.

<b>80415-04</b>	Slash Down.	<b>\$319.95</b>
<b>80412-04</b>	Tapered Baloney Cut.	<b>\$319.95</b>

Fits '98-'03 XL (except 883R), '92-'03 883 Hugger™, '96-'03 XL1200C and '92-'03 XL models equipped with Profile® Low Rear Suspension P/N 54571-94A.

<b>80102-97</b>	Baloney Cut.	<b>\$319.95</b>
-----------------	--------------	-----------------



A. SCREAMIN' EAGLE STREET PERFORMANCE SLIP-ON SHORTY DUAL MUFFLERS – JET BLACK (SHOWN WITH JET BLACK BUCKSHOT EXHAUST SHIELDS)



B. HARLEY-DAVIDSON SLIP-ON MUFFLERS – SLASH DOWN



B. HARLEY-DAVIDSON SLIP-ON MUFFLERS – TAPERED BALONEY CUT

NOTE: Due to increased diameter of these mufflers some realignment of head pipes is usually required. It is recommended to replace exhaust port gaskets, P/N 65324-83A (stock) or P/N 17048-98 (performance), to avoid tendency of head pipes to return to original position when re-tightened.

NOTE: There is no warranty on exhaust pipes and mufflers with regard to any discoloration. Blueing is caused by tuning characteristics, cam timing, carburetor jetting, over-heating, etc. and is not caused by defective manufacturing.

Notice: The prices appearing in this catalog are the manufacturer's suggested retail prices. Actual retail prices may vary.



**C. SCREAMIN' EAGLE JET BLACK HEADER PIPES (65600155 SHOWN)**



**C. SCREAMIN' EAGLE JET BLACK HEADER PIPES (65600155 SHOWN)**



**C. SCREAMIN' EAGLE JET BLACK HEADER PIPES (80887-10 SHOWN)**



**D. SCREAMIN' EAGLE BUCKSHOT EXHAUST SHIELD KIT – CHROME**



**D. SCREAMIN' EAGLE BUCKSHOT EXHAUST SHIELD KIT – JET BLACK**



**D. SCREAMIN' EAGLE BUCKSHOT EXHAUST SHIELD KIT – BRUSHED NICKEL**



**E. SCREAMIN' EAGLE MUFFLER SHIELDS**

# SCREAMIN' EAGLE® 495

Sportster® Exhaust

## C. SCREAMIN' EAGLE® JET BLACK HEADER PIPES

Hide the blue. These Original Equipment-style Header Pipes have been finished with a unique jet black heat resistant coating and are a great accent to both chrome and black Buckshot exhaust shields. When exposed through the holes in the Buckshot shields, the black header pipe provides a sinister accent and hides the heat-tempered finish of the typical exhaust pipe. Easy to install using factory mounting hardware, the kit includes front and rear header pipe.

**65600155** **\$179.95**

Fits '14-later XL models.

**80887-10** **\$99.95**

Fits '04-'13 XL models.

## D. SCREAMIN' EAGLE BUCKSHOT EXHAUST SHIELD KIT

These custom shields feature a perforated "Buckshot" design that exposes the head pipe for a raw, rebellious look. Available in your choice of finishes, these exhaust shields are a perfect match for Original Equipment or Screamin' Eagle® mufflers and provide a consistent look from front to back. Manufactured to Original Equipment standards for exacting fit, the easy-to-install kit includes front and rear head pipe shields.

Fits '14-later XL models.

**65400137** Jet Black. **\$159.95**

**65400143** Chrome. **\$159.95**

Fits '04-'13 XL models.

**64601-10** Chrome. **\$149.95**

**64924-09** Jet Black. **\$149.95**

**64900128** Brushed Nickel. **\$149.95**

## E. SCREAMIN' EAGLE MUFFLER SHIELDS

Styled to complement the ballistic inlet shape of the Screamin' Eagle Street Performance Slip-On Mufflers. The rear shield features a deep embossed "Screamin' Eagle" signature script. Available in chrome, jet black and brushed nickel. Easy-to-install kit includes front and rear shields and mounting hardware.

Fits '07-later XL, Dyna® (except '08-later FXDF, FLD, FXDL and '10-later FXDWG) and Softail® models equipped with Screamin' Eagle Street Performance Mufflers.

**64806-07A** Chrome. **\$49.95**

**65400078** Jet Black. **\$129.95**

**65400079** Brushed Nickel. **\$149.95**

NOTE: Due to increased diameter of these mufflers some realignment of head pipes is usually required. It is recommended to replace exhaust port gaskets, P/N 65324-83A (stock) or P/N 17048-98 (performance), to avoid tendency of head pipes to return to original position when re-tightened.

NOTE: There is no warranty on exhaust pipes and mufflers with regard to any discoloration. Blueing is caused by tuning characteristics, cam timing, carburetor jetting, over-heating, etc. and is not caused by defective manufacturing.

*Notice: The prices appearing in this catalog are the manufacturer's suggested retail prices. Actual retail prices may vary.*



# 496 SCREAMIN' EAGLE®

Dyna® Exhaust

## A. SCREAMIN' EAGLE® STREET PERFORMANCE SLIP-ON MUFFLERS – DYNA® SHORTY DUAL

Factory engineers tuned these pipes to satisfy the most discriminating Harley enthusiast. Mufflers feature high-flowing internals to maximize performance and a rich, deep exhaust note that lets everyone know you're around. With the aggressive sound quality and performance comparable to Screamin' Eagle® II race-use mufflers, it's hard to believe they are street legal. Available in your choice of rich chrome or heat-resistant jet black ceramic finish. Jet black mufflers include matching muffler shield with a deep embossed Screamin' Eagle logo along the flank. Chrome mufflers allow for the reuse of stock muffler shields or the separate purchase of Chrome "Screamin' Eagle" Script Muffler Shields. EPA stamped, these mufflers are 50-state street legal on stock displacement engines.

Fits 50-state '07-later FXD, FXDB, FXDC, '07-'13 FXDL and '07-'08 FXDWG models with Shorty Dual exhaust. Installation requires separate purchase of Muffler Clamps P/N 65296-95A (Qty 2).

<b>80678-08</b>	Chrome.	<b>\$449.95</b>
<b>80794-10A</b>	Jet Black w/ Muffler Shields.	<b>\$499.95</b>



A. SCREAMIN' EAGLE STREET PERFORMANCE SLIP-ON SHORTY DUAL MUFFLERS – CHROME



A. SCREAMIN' EAGLE STREET PERFORMANCE SLIP-ON SHORTY DUAL MUFFLERS – JET BLACK W/ MUFFLER SHIELDS (SHOWN WITH JET BLACK EXHAUST SHIELD KIT)



A. SCREAMIN' EAGLE STREET PERFORMANCE SLIP-ON SHORTY DUAL MUFFLERS – JET BLACK W/ MUFFLER SHIELDS (SHOWN WITH BRUSHED NICKEL MUFFLER AND EXHAUST SHIELDS)

NOTE: There is no warranty on exhaust pipes and mufflers with regard to any discoloration. Blueing is caused by tuning characteristics, cam timing, carburetor jetting, over-heating, etc. and is not caused by defective manufacturing.

Notice: The prices appearing in this catalog are the manufacturer's suggested retail prices. Actual retail prices may vary.

# SCREAMIN' EAGLE® 497

Dyna® Exhaust

## B. SCREAMIN' EAGLE® STREET PERFORMANCE MUFFLERS – DYNA® STAGGERED DUAL

Make your statement before they see you coming. The throaty Screamin' Eagle® Street Performance sound sets the tone and the bold styling drives the note home. One-of-a-kind ballistic inlet shape flows back past the embossed "Screamin' Eagle" logo to the unique "Blunt Revolver" end treatment. Available in your choice of brilliant chrome or tough jet-black ceramic finish, the mufflers feature complementing end caps with cut-out chambers that expose the finish below for a bold contrast. Complete the look with Jet Black or Brushed Nickel Exhaust Shields (sold separately). Mufflers are 50-state street legal on 96CI or 103CI displacement models.

Fits '08-later FXDF and '10-later FXDWG models equipped with 96CI or 103CI engines. Installation requires separate purchase of Muffler Clamps P/N 65296-95A (Qty 2).

<b>80674-08A</b>	Chrome w/ Black End Caps.	<b>\$374.95</b>
<b>80601-09A</b>	Jet Black w/ Chrome End Caps.	<b>\$399.95</b>
<b>64900124</b>	Jet Black w/ Brushed Nickel End Caps.	<b>\$399.95</b>



**B. SCREAMIN' EAGLE STREET PERFORMANCE STAGGERED DUAL MUFFLERS – CHROME W/ BLACK END CAPS**



**B. SCREAMIN' EAGLE STREET PERFORMANCE STAGGERED DUAL MUFFLERS – JET BLACK W/ CHROME END CAPS (SHOWN WITH JET BLACK EXHAUST SHIELD KIT)**



**B. SCREAMIN' EAGLE STREET PERFORMANCE STAGGERED DUAL MUFFLERS – JET BLACK W/ BRUSHED NICKEL END CAPS (SHOWN WITH BRUSHED NICKEL EXHAUST SHIELD KIT)**

NOTE: There is no warranty on exhaust pipes and mufflers with regard to any discoloration. Blueing is caused by tuning characteristics, cam timing, carburetor jetting, over-heating, etc. and is not caused by defective manufacturing.

Notice: The prices appearing in this catalog are the manufacturer's suggested retail prices. Actual retail prices may vary.



# 498 SCREAMIN' EAGLE®

Dyna® Exhaust

## A. SCREAMIN' EAGLE® NIGHTSTICK DYNA® 2-INTO-1 SLIP-ON MUFFLERS

Tuned by the factory for the ultimate combination of improved performance, rich tone and legal sound levels, these 50-state street legal slip-on mufflers are the perfect match for your Dyna® Switchback™ model. The high-flow design of the external diffusion discs produces plenty of low-end "guts" to get your bike away from the light and a fat torque curve that gets you quickly around slow-moving traffic. The flared opening, multiple stainless steel diffusion discs and domed end cap deliver an aggressive raspy sound. Available in mirror-chrome and jet black finish, these long and lean pipes feature an embossed Screamin' Eagle® logo. Easy to install. EPA stamped.

Fits '12-later FLD models.

<b>80872-12</b>	Chrome.	<b>\$274.95</b>
<b>64900137</b>	Jet Black.	<b>\$329.95</b>

Fits '14-later FXDL models.

<b>64900243</b>	Chrome.	<b>\$299.95</b>
<b>64900242</b>	Jet Black.	<b>\$329.95</b>

## B. HARLEY-DAVIDSON® DYNA SLIP-ON MUFFLERS

Harley-Davidson® Slip-On Mufflers for Dyna models. Choose your style, slash down or baloney cut. These 50-state street legal mufflers offer great sound quality, improved performance and feature the "Harley-Davidson" script on the rear muffler.

Fits '95-'05 Dyna models.

<b>80366-99</b>	Slash Down.	<b>\$329.95</b>
<b>80104-99</b>	Baloney Cut.	<b>\$329.95</b>



A. SCREAMIN' EAGLE NIGHTSTICK 2-INTO-1 SLIP-ON MUFFLERS – FLD MODELS



A. SCREAMIN' EAGLE NIGHTSTICK 2-INTO-1 SLIP-ON MUFFLERS – FXDL MODELS (SHOWN WITH JET BLACK EXHAUST SHIELD KIT)



B. HARLEY-DAVIDSON DYNA SLIP-ON MUFFLERS – (SLASH DOWN SHOWN)

# FORUM P-H

NOTE: There is no warranty on exhaust pipes and mufflers with regard to any discoloration. Blueing is caused by tuning characteristics, cam timing, carburetor jetting, over-heating, etc. and is not caused by defective manufacturing.

Notice: The prices appearing in this catalog are the manufacturer's suggested retail prices. Actual retail prices may vary.